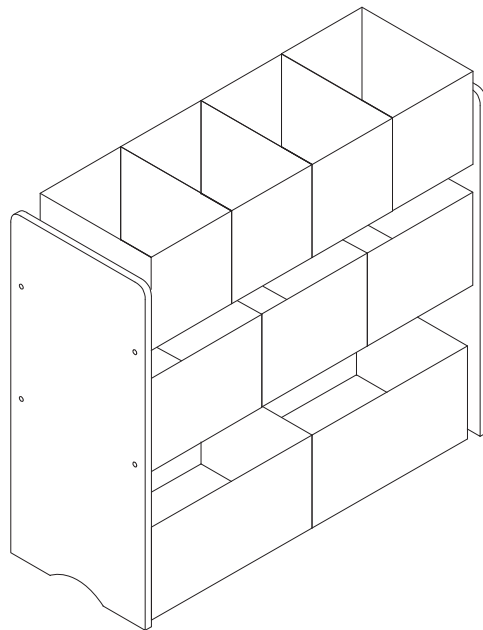


LITTLE NATION

SOFT TOY STORAGE



CAUTION:

ADULT ASSEMBLY IS REQUIRED. HARDWARE CONTAINS SCREWS WITH SHARP POINTS. KEEP UNASSEMBLED PARTS OUT OF THE REACH OF SMALL CHILDREN. ADULT SUPERVISION IS RECOMMENDED.



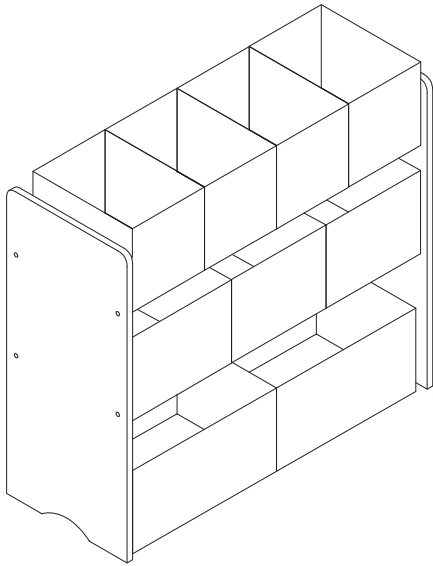
WARNING:

DO NOT STAND ON THE PRODUCT. DO NOT USE THE PRODUCT AS A STEP LADDER. DO NOT USE THE PRODUCT UNLESS ALL BOLTS, SCREWS AND KNOBS ARE FIRMLY SECURED. CHECK AND TIGHTEN ALL PARTS REGULARLY. DO NOT CLIMB ON OR AROUND THIS PRODUCT

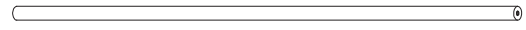


WARNING

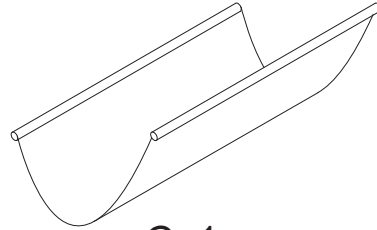
CHOKING HAZARD-SMALL PARTS.
NOT SUITABLE FOR CHILDREN UNDER 3 YEARS.




Ax8

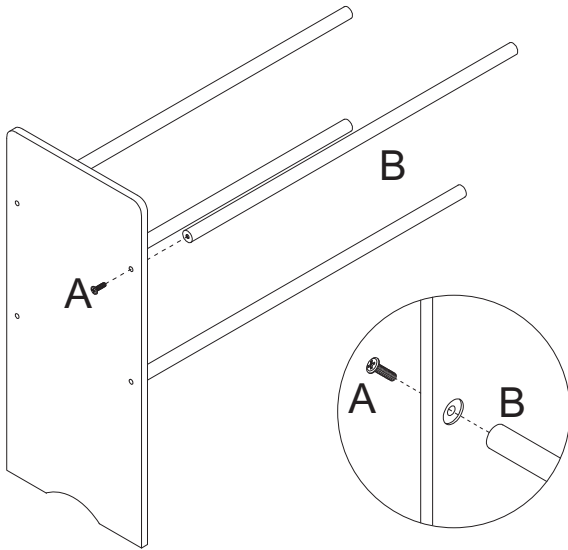


Bx4

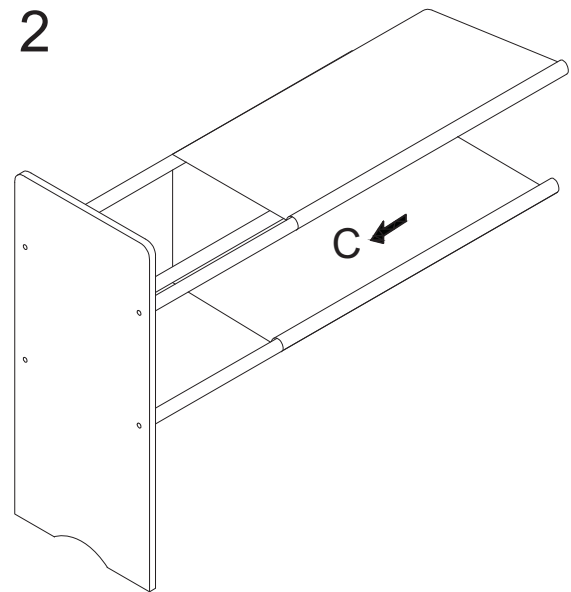


Cx1

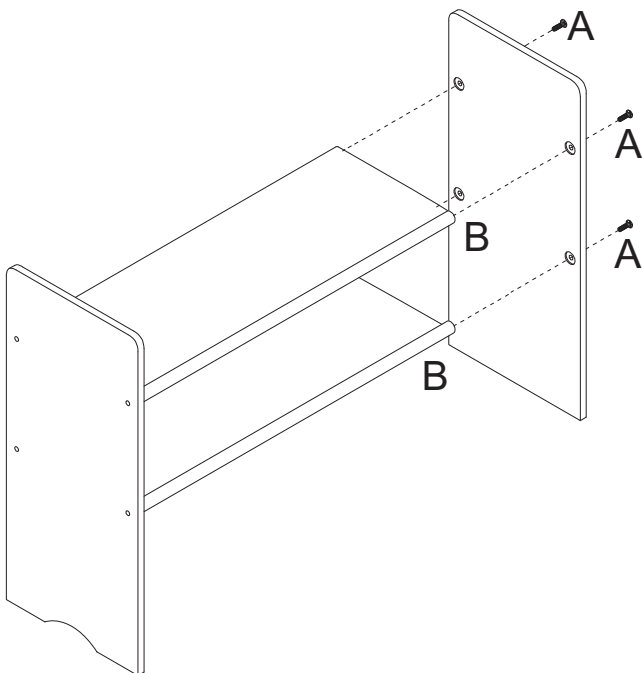
1



2



3



4

