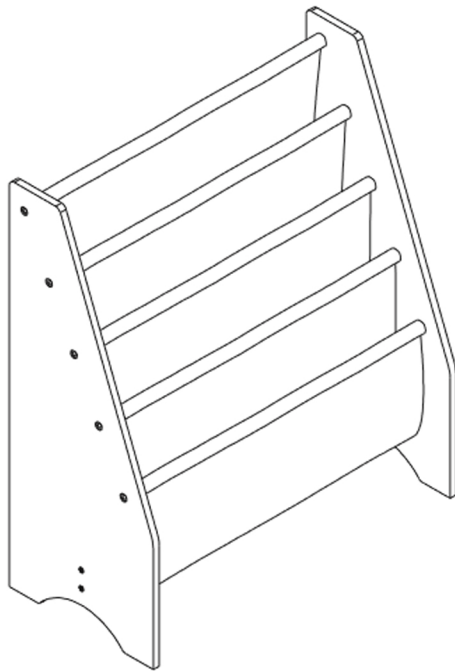


# LITTLE NATION

## HENRY BOOKSHELF



### CAUTION:

ADULT ASSEMBLY IS REQUIRED. HARDWARE CONTAINS SCREWS WITH SHARP POINTS. KEEP UNASSEMBLED PARTS OUT OF THE REACH OF SMALL CHILDREN. ADULT SUPERVISION IS RECOMMENDED.



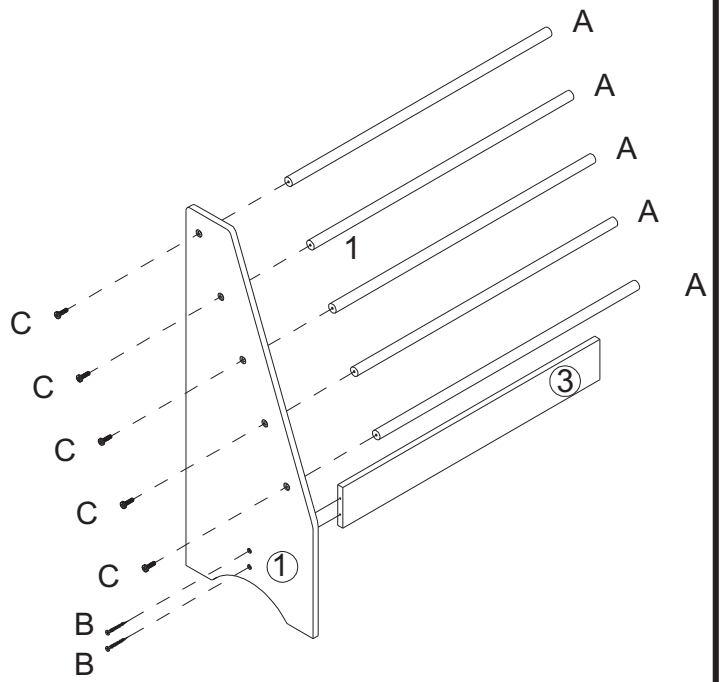
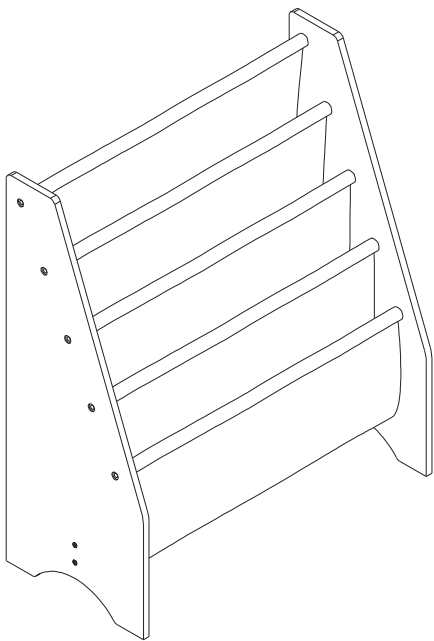
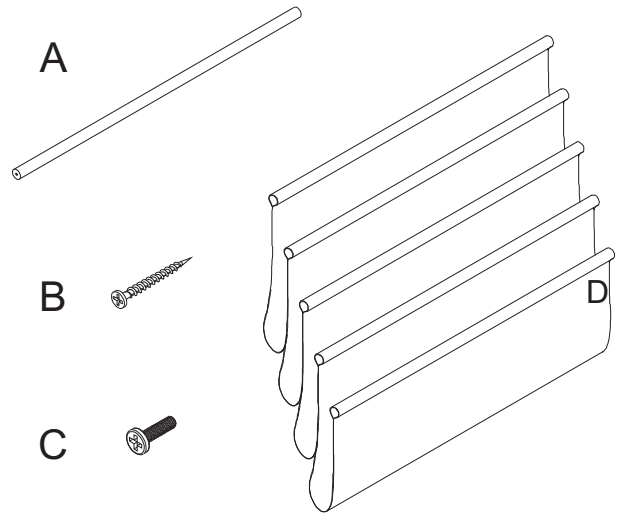
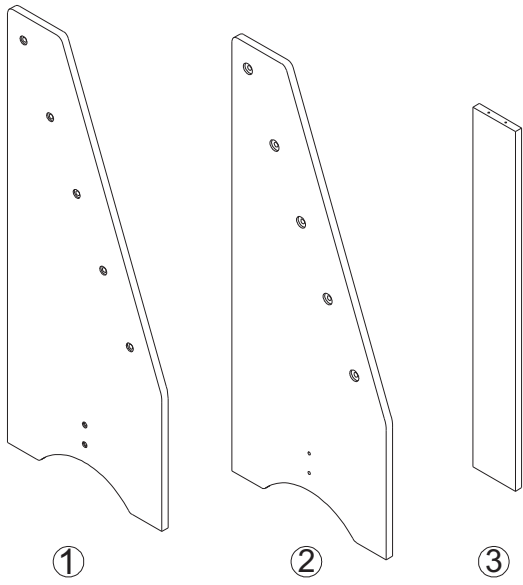
### WARNING:

DO NOT STAND ON THE PRODUCT. DO NOT USE THE PRODUCT AS A STEP LADDER. DO NOT USE THE PRODUCT UNLESS ALL BOLTS, SCREWS AND KNOBS ARE FIRMLY SECURED. CHECK AND TIGHTEN ALL PARTS REGULARLY. DO NOT CLIMB ON OR AROUND THIS PRODUCT

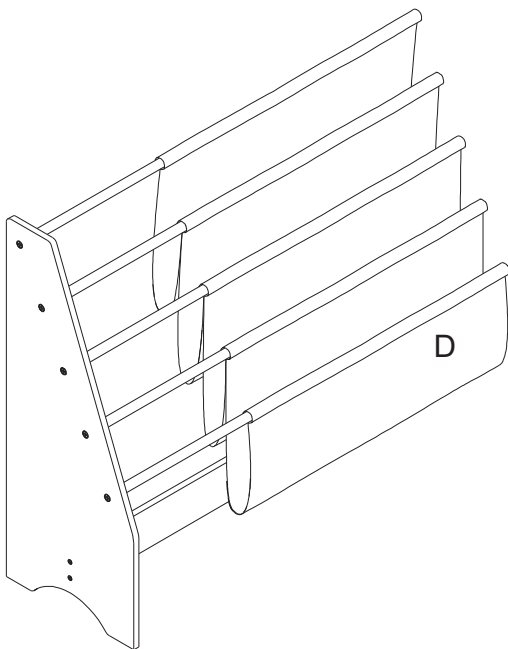


### WARNING

CHOKING HAZARD-SMALL PARTS.  
NOT SUITABLE FOR CHILDREN UNDER 3 YEARS.



2



3

