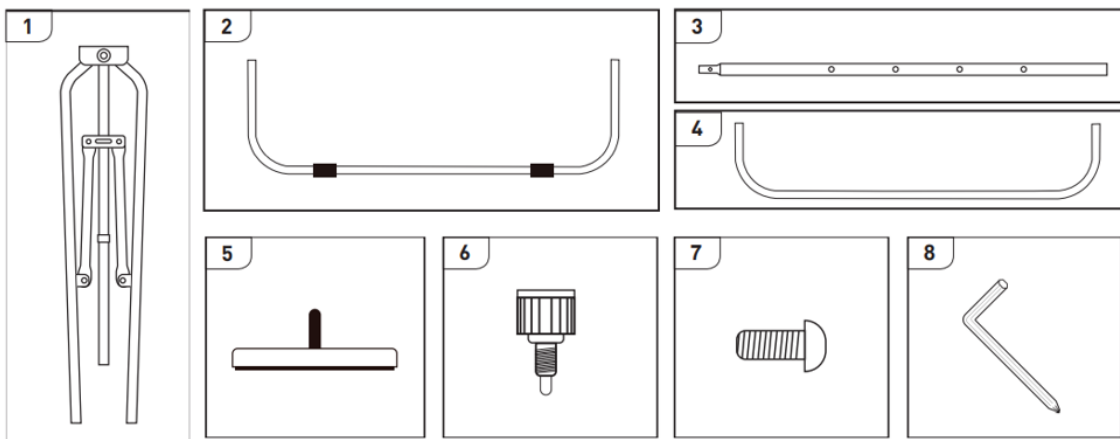
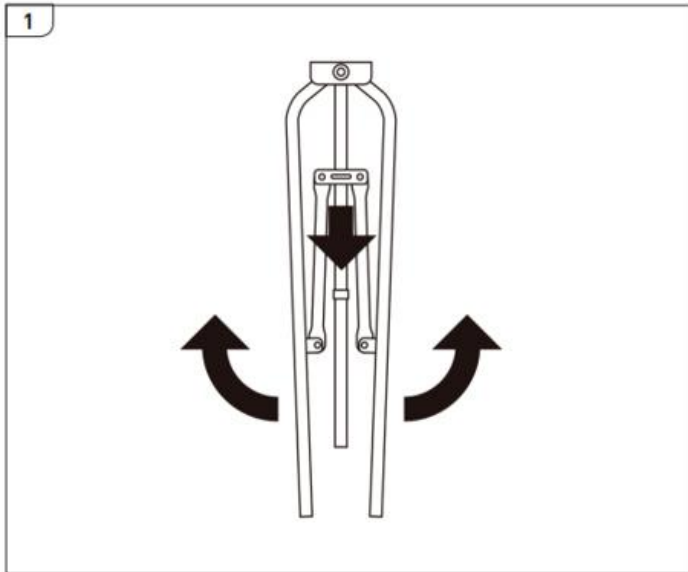


PARTS LIST

Part #	Description	QTY	Part#	Description	QTY
1	Main Frame	x2	5	Adjustable Round Base	x2
2	Base Tube	x2	6	Adjustable Knob	x2
3	Adjustable Tube	x2	7	M6x14MM Screw	X6
4	Center Cross Support	x1	8	Allen Wrench	X2



ASSEMBLY INSTRUCTIONS

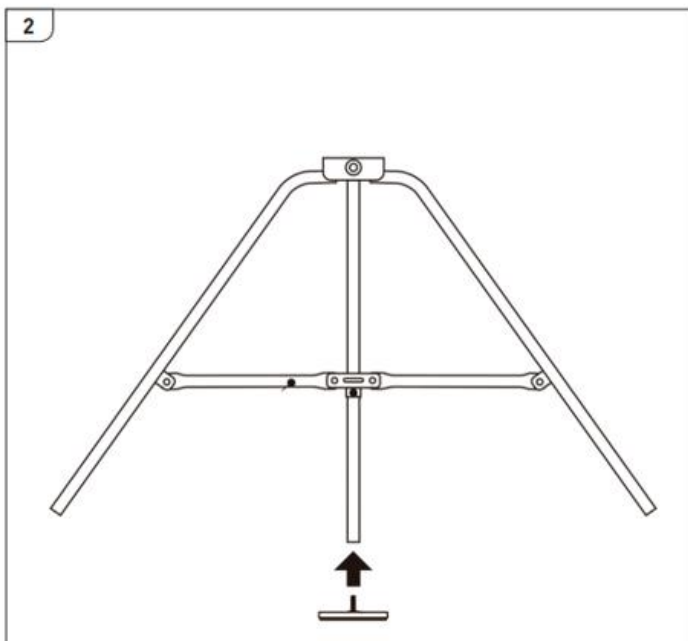


STEP 1:

Parts:

Part 1 (x1) - Main Frame

Find the Main Frame (part 1) and open by pulling the the legs out like diagram shown



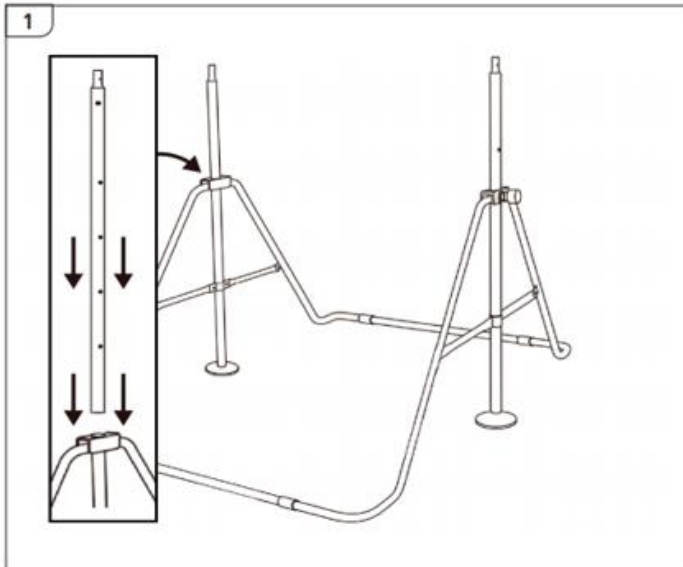
STEP 2:

Parts:

Part 5 (x2) - Adjustable Round Base

Install the Round Base (Part 5) onto the bottom of the Main Frame as shown.

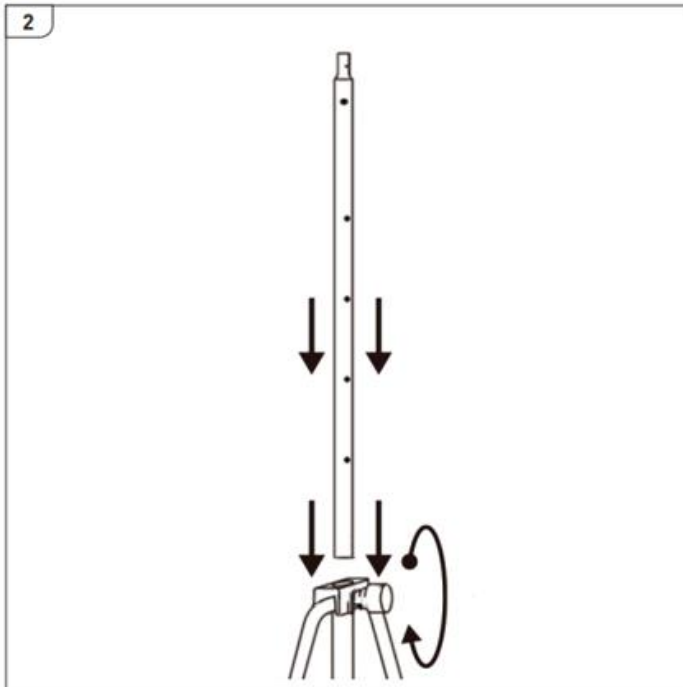
ASSEMBLY INSTRUCTIONS



STEP 5

Parts:
Part 3 (x2) - Adjustable Tube

Locate both Adjustable Tubes (Part 3) and place on top of the main frame like shown.



STEP 6:

Loosen the adjustable knob by rotating counter clockwise to install the Adjustable Tubes (Part 3)

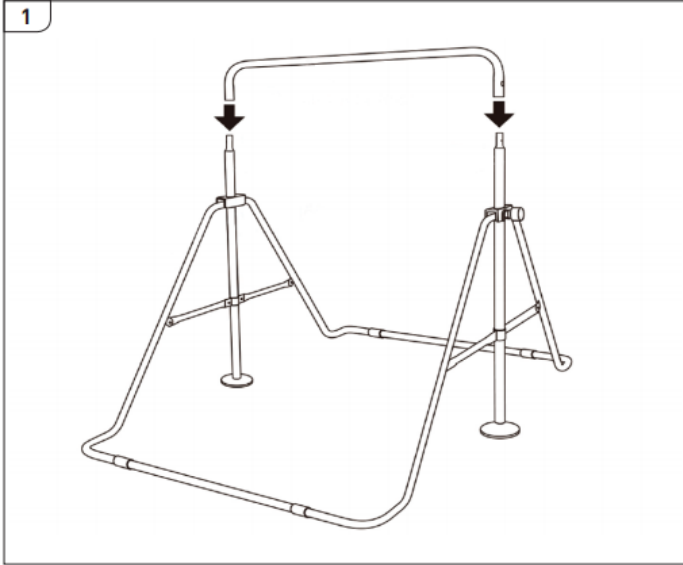
Pull back the knob then raise/lower tube to adjust to desired height.

Tighten adjustable knob by turning clockwise.

5 Adjustable Heights:

- 1 section: 34.5 in
- 2 section: 38.5 in
- 3 section: 42.5 in
- 4 section: 46.5 in
- 5 section: 50.5 in

ASSEMBLY INSTRUCTIONS



STEP 7:

Parts:

Part 4 (x1) - Center Cross Support

Attach the center cross support bar onto the top of the main frame as shown. Will snap into place with push pin on each side.